

# RMOB-JR Relay Base

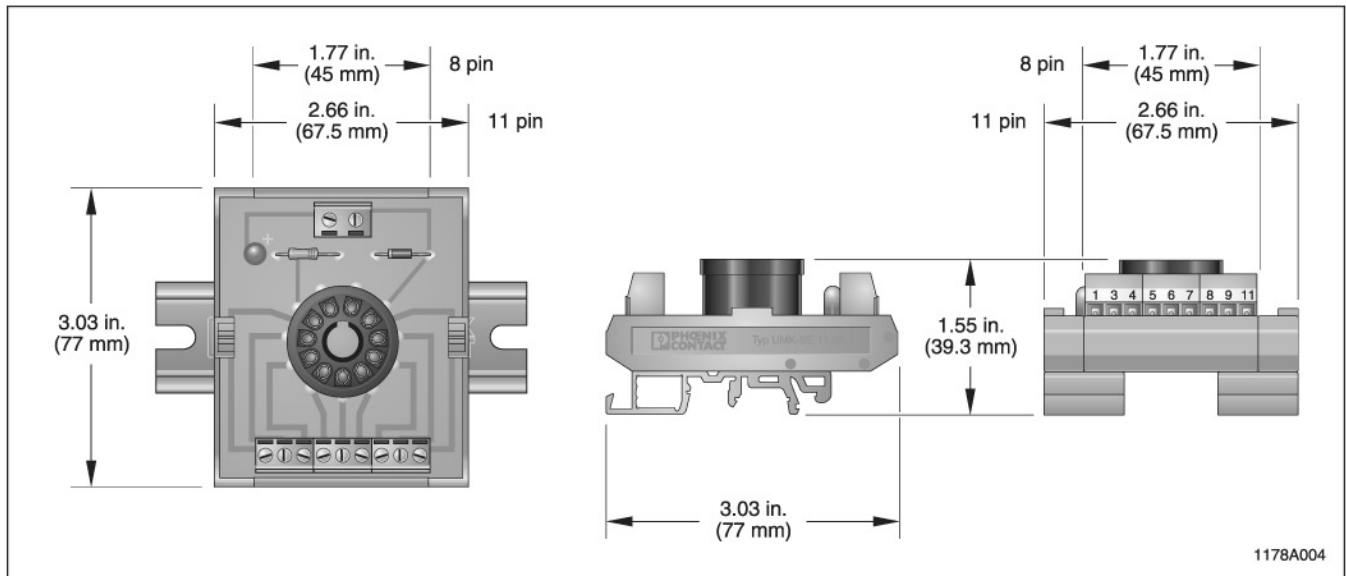


Figure 2. RMOB-JR-2 Relay Base Dimensions

## Ordering Information

RMOB-JR-1	70 01 21 4
8 pin octal socket relay base for use with relays up to 2 PDT	
RMOB-JR-1-MKDS5	56 01 97 8
8 pin octal socket relay base for use with relays up to 2 PDT with larger terminal blocks for 10A current rating on contact side	
RMOB-JR-1-24	70 01 43 8
8 pin octal socket relay base with LED for 24 V dc control circuits	
RMOB-JR-1-24DC-MKDS5	56 01 97 5
8 pin octal socket relay base with LED for 24 V dc control circuits and larger terminal blocks for 10A current rating on contact side	
RMOB-JR-1-120	56 01 69 9
8 pin octal socket relay base with LED for 120 V ac control circuits	
RMOB-JR-1-120AC-MKDS5	56 01 97 4
8 pin octal socket relay base with indication for 120 V ac control circuits and larger terminal blocks for 10A current rating on contact side	
RMOB-JR-2	70 01 21 3
11 pin octal socket relay base for use with relays up to 3 PDT	
RMOB-JR-2-24	70 01 43 9
11 pin octal socket relay base with LED for 24 V dc control circuits	
RMOB-JR-2-24DC-MKDS5	56 0-1 97 7
11 pin octal socket relay base with LED for 24 V dc control circuits and larger terminal blocks for 10A current rating on contact side	
RMOB-JR-2-120	70 04 57 0
11 pin octal socket relay base with indication for 120 V ac control circuits	
RMOB-JR-2-120AC-MKDS5	56 01 97 6
11 pin octal socket relay base with indication for 120 V ac control circuits and larger terminal blocks for 10A current rating on contact side	

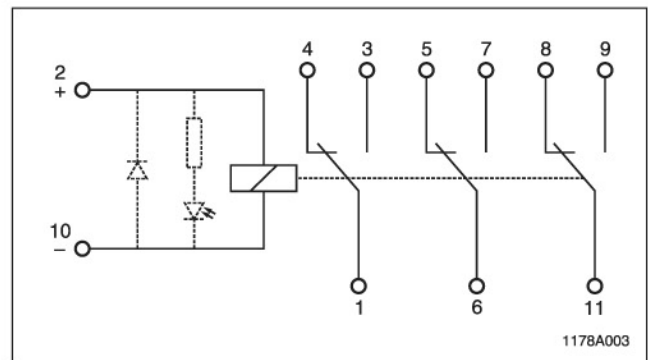


Figure 3. RMOB-JR-2 Relay Base Block Diagram

### Headquarters, U.S.

Phoenix Contact Inc.  
P.O. Box 4100  
Harrisburg, PA 17111-0100  
Technical Support and Information: (800) 322-3225  
Fax: (717) 948-3475  
Fax-On-Demand: (800) 944-9901  
Email: [info@phoenixcon.com](mailto:info@phoenixcon.com)  
Web Site: <http://www.phoenixcon.com>

### Headquarters, Canada

Phoenix Contact Ltd.  
235 Watline Avenue  
Mississauga, Ontario L4Z 1P3  
Phone: (905) 890-2820  
Fax: (905) 890-0180

The information given herein is based on data believed to be reliable, but Phoenix Contact Inc. makes no warranties expressed or implied as to the accuracy and assumes no liability arising out of its use by others. This publication is not to be taken as license to operate under, or recommendation to infringe, any patent.